

**High Performance:** This 14 element yagi antenna provides 10dBi / 8dBd gain with excellent wide band performance.

**Rugged and weatherproof:** Our hybrid radome construction provides excellent weather protection for our driven element. The radome is constructed of UV inhibited ABS. The heavy duty mounting plate is extruded aluminum. Stainless steel V bolts are provided for long term reliability and resistance to corrosion. The elements are welded to the boom to provide excellent stability and intermod resistant operation.

**Lightweight and Durable:** This yagi antenna is easily installed by one person, yet is designed to withstand 125 MPH winds.

#### Termination Options:

**Type A:** 12" (30cm) Teflon pigtail with N connector.



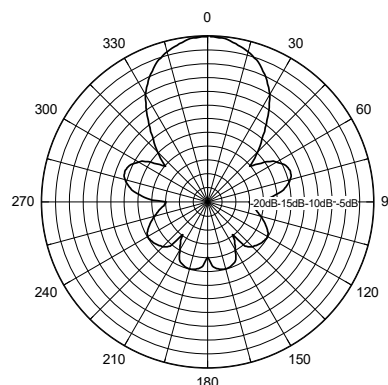
### ELECTRICAL SPECIFICATIONS

<b>GAIN:</b>	10dBi / 8dBd
<b>FREQUENCY@</b>	
<b>VSWR &lt;2.0:1</b>	806-940MHz/1730-2100MHz
<b>VSWR &lt;2.5:1</b>	745-970MHz/1710-2500MHz
<b>F to B RATIO:</b>	20dB
<b>VERT BEAMWIDTH:</b>	40°
<b>HORIZ BEAMWIDTH:</b>	40°
<b>POWER RATING:</b>	150 watts
<b>IMPEDANCE:</b>	50 ohms

### MECHANICAL SPECIFICATIONS

<b>MATERIAL:</b>	Aluminum booms 3/16" solid welded elements
<b>RADOME:</b>	3" UV inhibited ABS
<b>LENGTH:</b>	18.5" (47cm)
<b>WEIGHT:</b>	2 lb. (5cm)
<b>MOUNTING:</b>	2 1/2" (6.35cm) mast maximum
<b>FLAT PLATE AREA:</b>	.12 ft <sup>2</sup>
<b>WIND RATING:</b>	125 MPH (201kph)
<b>WIND LOAD:</b>	8.1 lbs. (4kg)

**Horizontal Pattern**



**Vertical Pattern**

