

## Technical Specification

Y441910

### 1850/1990 MHz YAGI

### YAGI ANTENNA

**High Performance:** This 10 element yagi antenna provides 10dBd gain with wide band performance.

**Rugged and weatherproof:** Our radome enclosed construction provides excellent weather protection for our solid element U channel yagi antennas. The radome is constructed of UV inhibited ABS. The heavy duty mounting plate is extruded aluminum. Stainless steel V bolts are provided for long term reliability and resistance to corrosion.

**Lightweight and Durable:** This yagi antenna is easily installed by one person, yet is designed to withstand 125 MPH winds.

#### Termination Options:

**Type A:** 12" (30cm) Teflon pigtail with N connector.



#### MECHANICAL SPECIFICATIONS

**MATERIAL:** 1/2" (1.27cm) aluminum U channel boom  
3/16" solid elements

**RADOME:** 3" (7.6cm) UV inhibited ABS

**LENGTH:** 19" (48cm)

**WEIGHT:** 2 lb. (907g)

**MOUNTING:** 2 1/2" (6.35cm) mast maximum

**WIND SURVIVAL:** 125 MPH +(201kph)

#### ELECTRICAL SPECIFICATIONS

**GAIN:** 10. dBd

**FREQUENCY:** 1850-1990MHz

**F to B RATIO:** 20dB

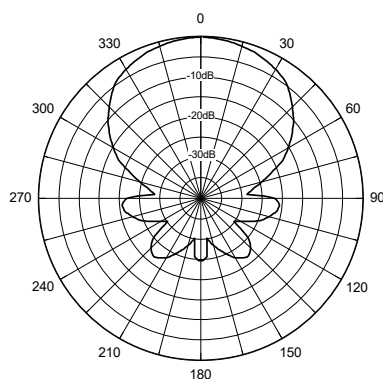
**BANDWIDTH:** 140MHz

**VSWR:** <2:1

**POWER RATING:** 150 watts

**IMPEDANCE:** 50 ohms

**Horizontal Pattern**



**Vertical Pattern**

