

**Technical Specification**  
**1.6/6.0 GHz ULTRA WIDEBAND**

**Y442458HDSM**  
**YAGI ANTENNA**

**High Performance:** This ultra wide band yagi provides 8dBi gain from 1.6 GHz to 6.0 GHz.

**Rugged and weatherproof:** The enclosed radome construction provides excellent weather protection. The radome is constructed of UV inhibited ABS. The standard swivel mounting plate allows for tilt and rotational options when mounting. The mount is black powder coated and is supplied with two stainless steel V- bolts and two aluminum V-blocks.

**Lightweight and Durable:** This yagi antenna is easily installed by one person, yet is designed to withstand 125 MPH winds.

**Termination Options:**

**Type A:** 12" Teflon pigtail with N connector.



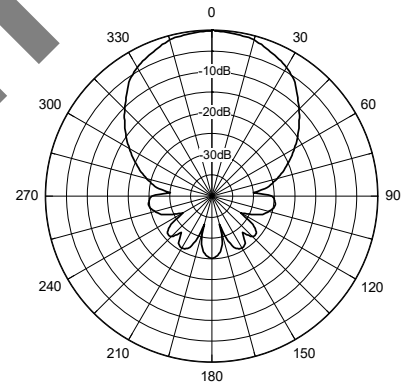
**MECHANICAL SPECIFICATIONS**

**RADOME:** 7" (17.7cm) UV inhibited ABS  
**LENGTH:** 12" (30cm) with swivel mount plate  
**WEIGHT:** 1 lb. (2.54cm)  
**MOUNTING:** 2 1/2" (6.35cm) mast maximum  
**FLAT PLATE AREA:** .055 ft<sup>2</sup>  
**WIND RATING:** 125 MPH (201kph)  
**WIND LOAD:** 2.47 lbs. (997g)

**ELECTRICAL SPECIFICATIONS**

**GAIN:** 8dBi  
**FREQUENCY:** 1.6-6.0GHz  
**F to B RATIO:** 15dB  
**BANDWIDTH:** >4.6GHz  
**VERT BEAMWIDTH:** 60°  
**HORIZ BEAMWIDTH:** 65°  
**VSWR:** <2:1  
**POWER RATING:** 150 watts  
**IMPEDANCE:** 50 ohms

**Horizontal Pattern**



**Vertical Pattern**

