

## Technical Specification

138-174 MHz 2.5dBd Gain

ED150-1

FOLDED DIPOLE

**Reliable Performance:** Rated at 250 watts and 2.5dBd gain, you can expect years of continuous service. Available in either 1/4 wave or 1/2 wave configurations.

**Rugged Construction:** The radiating elements are black anodized and the mast is epoxy powder coated heavywall aluminum.

**Weatherproof:** The feed line harness is contained inside the mast.

**Lightweight:** These antennas are lightweight at less than 8 lbs. but are designed to easily withstand winds of over 100 MPH.

**Simple installation:** Various types of mounting hardware such as tower standoffs and BSLMNT2s are available but should be ordered separately.



### ELECTRICAL SPECIFICATIONS:

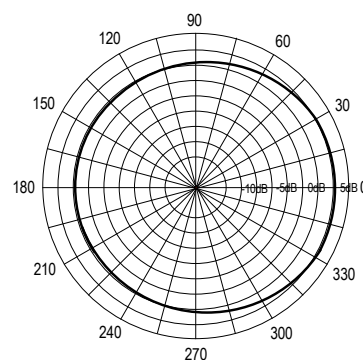
<b>FREQUENCY:</b>	138-174MHz
<b>GAIN:</b>	2.5 dBd
<b>VSWR:</b>	<1.5:1
<b>BANDWIDTH:</b>	50 MHz
<b>POWER RATING:</b>	100 watts
<b>IMPEDANCE:</b>	50 ohms
<b>VERT BEAMWIDTH:</b>	70°
<b>PROTECTION:</b>	DC Ground

### MECHANICAL SPECIFICATIONS:

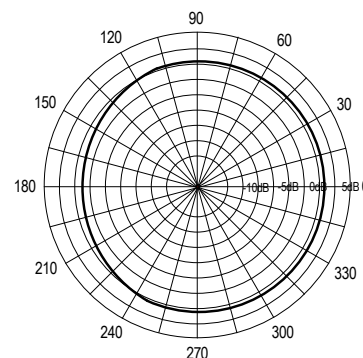
<b>MAST DIAMETER:</b>	1.9" (4.7cm)
<b>TERMINATION:</b>	Male N standard
<b>LENGTH:</b>	60" (1.52m)
<b>WIDTH:</b>	23" (58cm)
<b>WEIGHT:</b>	7 lbs. (3.1kg)
<b>FLAT PLATE AREA:</b>	.54 ft <sup>2</sup>
<b>WIND RATING:</b>	150 MPH (241kph)
<b>WIND LOAD:</b>	35 lbs. (15.8kg)

### HORIZONTAL PATTERNS

#### 1/4 WAVE



#### 1/2 WAVE



### VERTICAL PATTERN

