

**Technical Specification**  
**406-512 MHz 2.5dBd Gain**

**ED450-1**  
**FOLDED DIPOLE**

**Reliable Performance:** Rated at 250 watts and 2.5dBd gain, you can expect years of continuous service. Available in either 1/4 wave or 1/2 wave configurations.

**Rugged Construction:** The radiating elements are black anodized and the mast is epoxy powder coated heavy wall aluminum.

**Weatherproof:** The feed line harness is contained inside the mast.

**Lightweight:** These antennas are lightweight at less than 8 lbs. but are designed to easily withstand winds of over 100 MPH.

**Simple installation:** Various types of mounting hardware such as tower standoffs and BSLMNT2s are available but should be ordered separately.



**ELECTRICAL SPECIFICATIONS:**

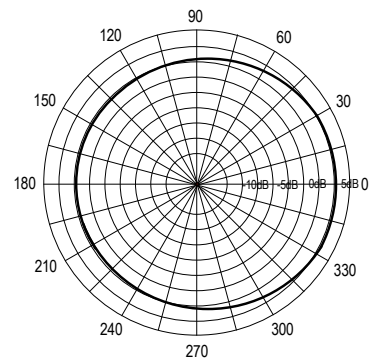
<b>FREQUENCY:</b>	406-512MHz
<b>GAIN:</b>	2.5 dBd
<b>VSWR:</b>	<1.5:1
<b>BANDWIDTH:</b>	106 MHz
<b>POWER RATING:</b>	100 watts
<b>IMPEDANCE:</b>	50 ohms
<b>VERT BEAMWIDTH:</b>	70°
<b>PROTECTION:</b>	DC Ground

**MECHANICAL SPECIFICATIONS:**

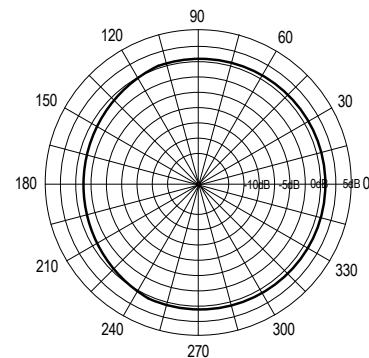
<b>MAST DIAMETER:</b>	1.9" (4.9cm)
<b>TERMINATION:</b>	Male N standard
<b>LENGTH:</b>	60" (1.52m)
<b>WIDTH:</b>	22".(56cm)
<b>WEIGHT:</b>	7 lbs. (3.1kg)
<b>FLAT PLATE AREA:</b>	.5 ft <sup>2</sup>
<b>WIND RATING:</b>	150 MPH (241kph)
<b>WIND LOAD:</b>	30 lbs.(13.6kg)

**HORIZONTAL PATTERNS**

**1/4 WAVE**



**1/2 WAVE**



**VERTICAL PATTERN**

