

**Technical Specification**

**406-512 MHz 2.5dBd Gain**

**EDX450**

**EXPOSED DIPOLE**

**Reliable Performance:** Rated at 250 watts and 2.5dBd gain, you can expect years of continuous service. Adjustable for either 1/4 wave or 1/2 wave configurations.

**Rugged Construction:** The radiating element and support arm are black anodized aluminum.

**Lightweight:** These antennas are lightweight at less than 4 lbs. but are designed to easily withstand winds of over 100 MPH.

**Simple installation:** The included mount is designed to easily mount on a 1.9" diameter (aluminum Schedule 40) mast which is not supplied.

**ELECTRICAL SPECIFICATIONS:**

- FREQUENCY:** 406-512MHz
- GAIN:** 1 - 2.5 dBd
- VSWR:** <1.5:1
- BANDWIDTH:** 106 MHz
- POWER RATING:** 250 watts
- IMPEDANCE:** 50 ohms
- VERT BEAMWIDTH:** 70°
- PROTECTION:** DC Ground

**MECHANICAL SPECIFICATIONS:**

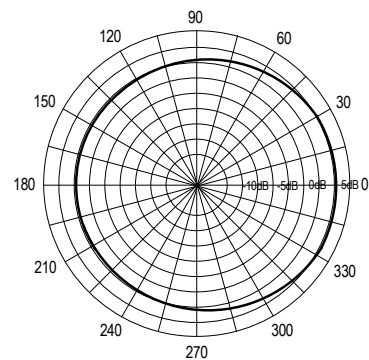
- MAST DIAMETER:** 1.9" (4.7cm) (Recommended)
- TERMINATION:** Male N standard
- CABLE LENGTH:** 5 ft (12.7cm)
- LENGTH:** 60" (1.52cm)
- WIDTH:** 22" (56cm)
- WEIGHT:** 7 lbs.(3.1kg)
- FLAT PLATE AREA:** .5 ft<sup>2</sup>
- WIND RATING:** 150 MPH(241kph)
- WIND LOAD:** 26 lbs.(11.7kg)



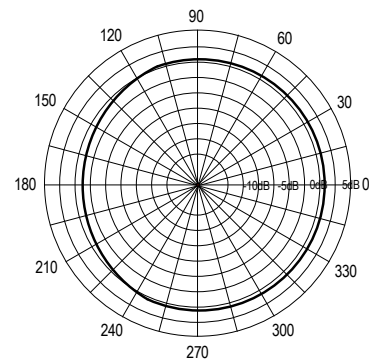
Shown with user supplied mast

**HORIZONTAL PATTERNS**

**1/4 WAVE**



**1/2 WAVE**



**VERTICAL PATTERN**

