

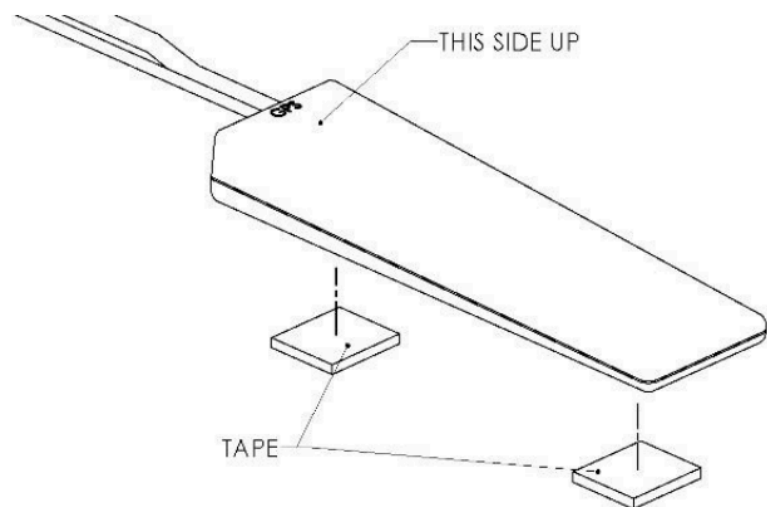
## CVW Series Installation Instruction

### Installation Steps:

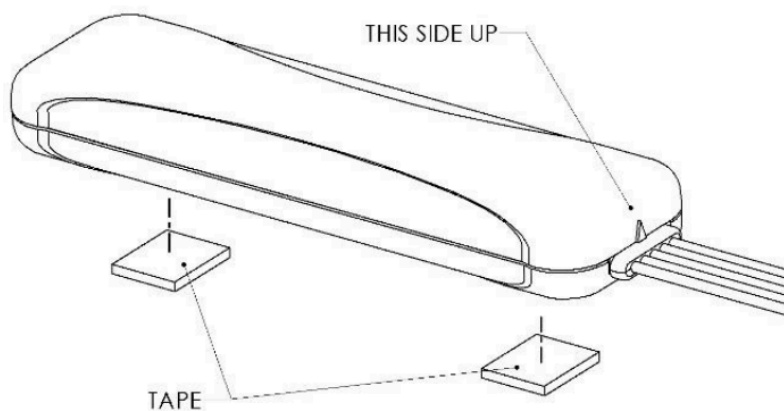
- Clean both the antenna and mounting surface with alcohol wipes
- Attach supplied VHB tape to both ends of the antenna
- Attach antenna to cleaned surface making sure the arrow or GPS letters are facing upward or outward

### Notes:

- For optimum performance mount to non-metallic surface
- Instructions apply to entire CVW Series



*Shown: CVW-UMB*



*Shown: CVW-502*



[Terms and Conditions](#)



Toll Free: 1-800-648-2800  
Phone: 1-847-671-6690  
Fax: 1-847-250-5120  
Email: [info@mobilemark.com](mailto:info@mobilemark.com)



Phone: +44 1543 459555  
Fax: +44 1543 459545  
Email: [enquiries@mobilemarkeurope.co.uk](mailto:enquiries@mobilemarkeurope.co.uk)



[Mobilemark.com](http://Mobilemark.com)

950-013-9-001-1113 DR. SM APP: JP REV. B