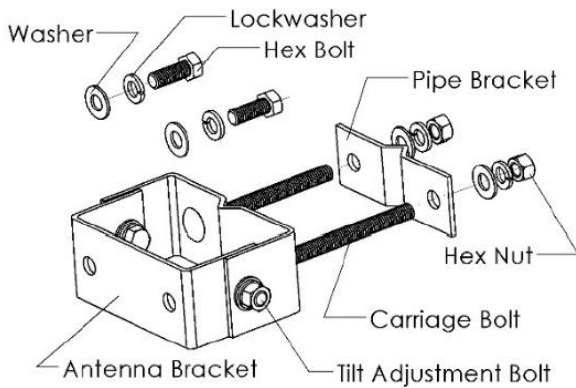
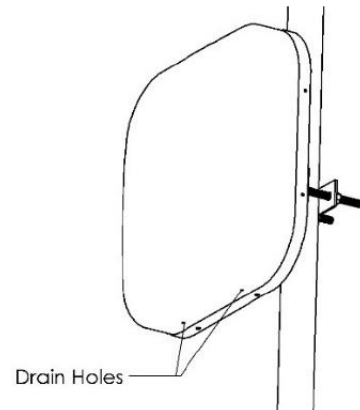


PND10-700/2700 Installation Instruction

Installation Steps:

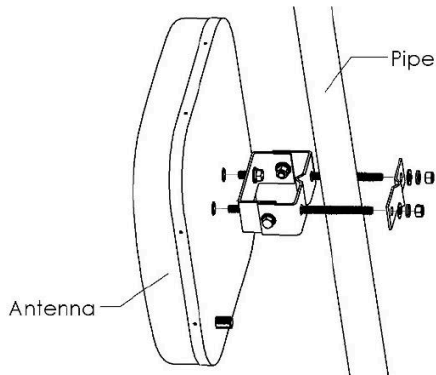


Shown: Mounting Kit and Hardware

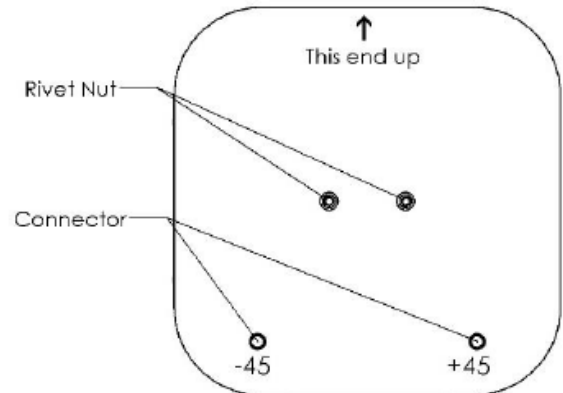


- Attach the bracket to the rivet nuts on the back of the antenna with supplied hardware

- Mount antenna with drain holes facing downward
- Loosen Tilt Adjustment Bolts to adjust antenna up or down, and then retighten



- Mounting kit can accommodate pipes 1"-2.5" (25.4mm-63.5mm) in diameter
- **ATTENTION:** Always wear safety glasses and follow the proper safety practices when installing this antenna.



Shown: Back of antenna

- Tighten slant +/-45 antenna connectors to 5 lb./ft. (6.8 Nm)
- NOTE: DO NOT overtighten
- OPTIONAL: For lightning/surge protection use Lightning Arrestor (ACC-TW-LP-005N) or, Gas Tube Surge Arrestor (ACC-GT-NFF-AL)



[Terms and Conditions](#)



Toll Free: 1-800-648-2800
Phone: 1-847-671-6690
Fax: 1-847-250-5120
Email: info@mobilemark.com



Phone: +44 1543 459555
Fax: +44 1543 459545
Email: enquiries@mobilemarkeurope.co.uk



Mobilemark.com

950-022-9-001-0717 DR: SM APP: REV. C