

SCR Series (Corner Reflector Site) Installation Instruction

Models Covered: SCR11-1800, SCR12-1900, SCR9-2400, SCR 12-2400, SCR10-3500, SCR13-4900, SCR10-5250, SCR12-5725

Mounting Location:

- The SCR Series antennas are designed to give a directional pattern. The antenna will need to be properly positioned towards the other communication site or coverage area, clear of any obstructions from the front and sides.
- A pole mount is provided to mount the antenna to a pole up to 2" (2.54cm) Outside diameter. U Bolts are included for pole mount
- The antennas are vertically polarized, so mount in a vertical position for optimal performance. Please refer to the individual product radiation patterns, in consideration of the antenna installation/alignment.
- Note: It is possible to mount both transmit and receive antennas in a horizontal position to reduce interference from other sources.
- For wall mounting, you must utilize a wall/pole mount adapter. For pole mounting, attach the U-bolts and lock-washers in the order shown on the appropriate diagram in the next page.

Suggested Cable Considerations:

- At higher frequencies (2.4 GHz and above), it is suggested that you use appropriate low loss cable. The type of cable you use is dependent on the length of the cable run, as well as the frequency.



[Terms and Conditions](#)

SCR1-12-2400

Some common cable types and per foot loss in dB are listed below:

Typical Cable Loss, per Foot, at various Frequencies

	RG-58	RF-195	LMR-400
1000 MHz	0.14	0.11	0.04
2000 MHz	0.21	0.15	0.06
2500 MHz	0.24	0.17	0.07
3.5 GHz	0.31	0.21	0.08
5.0 GHz	0.45	0.26	0.10
5.5 GHz	0.50	0.27	0.11

Example 20 ft of RF-195 cable at
2000 MHz= 20 x 0.15 = 3 dB loss

Outdoor Use & Accessories:

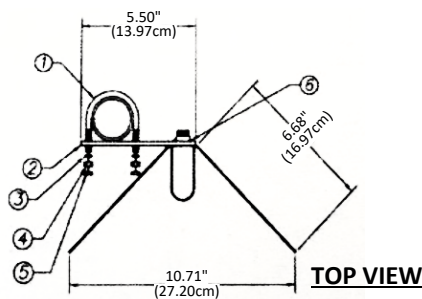
- The SCR Series are designed for outdoor use, but can also be used inbuilding due to their compact size and attractive, neutral styling.
- Although the antennas are DC grounded, it is suggested that you utilize some form of lightning protection in your system when mounted outside. Typical types of protection include in-line surge suppressors. They will help prevent further damage to radio equipment located downstream from the antennas. In addition, you will want to seal the jumper connection. Most commercial products can be used. You may also coat the connectors with silicone gel, and then apply heat shrink tubing over the connection.



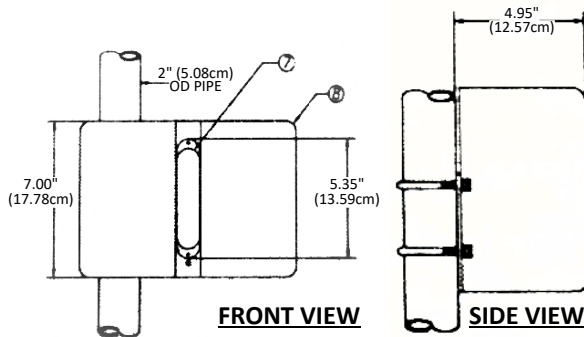
SCR Series (Corner Reflector Site) Installation Instruction

Models Covered: SCR11-1800, SCR12-1900, SCR9-2400, SCR 12-2400, SCR10-3500, SCR13-4900, SCR10-5250, SCR12-5725

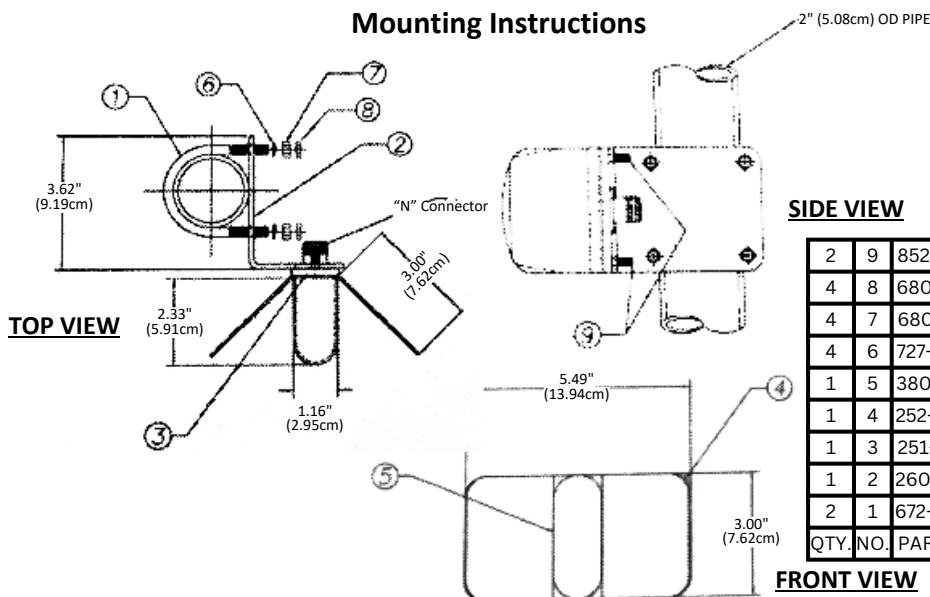
Mounting Instructions



QTY.	NO.	PART NUMBER	PART DESCRIPTION
1	8	252-002-9-001	REFLECTOR, MEDIUM
1	7	380-073-9-002	SCR RADOME "WHITE"
4	6	525-004-3-001	4-40 X 1/4" S.S. PHMS
4	5	580-214-3-010	1/4-20 JAM NUT
4	4	680-214-3-014	1/4-20 HEX NUT, THICK
4	3	727-049-0-001	1/4 FLATWASHER
1	2	250-009-9-001	MOUNTING BRACKET
2	1	672-006-9-003	U-BOLT, OD, LARGE



Mounting Instructions



QTY.	NO.	PART NUMBER	PART DESCRIPTION
2	9	852-250-9-991	BRASS STUD
4	8	680-214-3-010	1/4-20 HEX JAM NUT, THIN
4	7	680-214-3-014	1/4-20 HEX NUT, THICK
4	6	727-049-0-001	1/4 FLATWASHER
1	5	380-124-9-001	RADOME
1	4	252-003-9-001	MINI CORNER REFLECTOR
1	3	251-345-9-001	REFLECTOR BRACKET
1	2	260-220-9-001	MTG. BRACKET
2	1	672-006-9-003	U-BOLT, OD LARGE



[Terms and Conditions](#)



Toll Free: 1-800-648-2800
 Phone: 1-847-671-6690
 Fax: 1-847-250-5120
 Email: info@mobilemark.com



Phone: +44 1543 459555
 Fax: +44 1543 459545
 Email: enquiries@mobilemarkeurope.co.uk



Mobilemark.com

950-119-9-001-0325