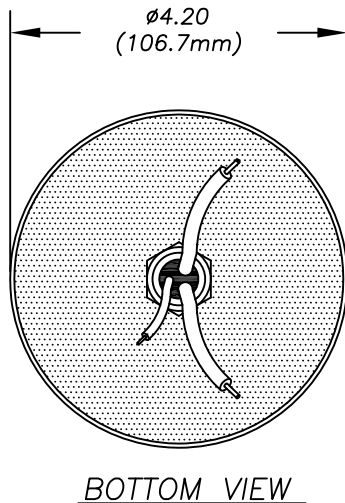
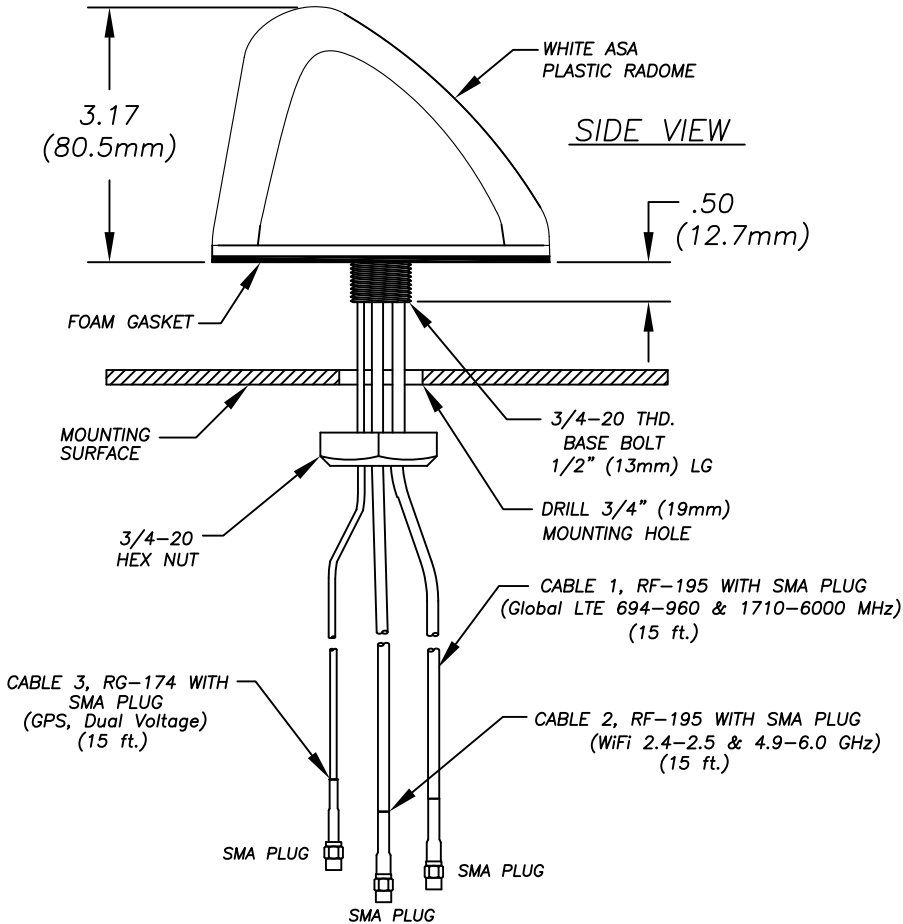


# SMW-312-3C3C2C-WHT-180

**Wide-band Surface Mount Antenna**  
**694-960 & 1710-6000 MHz**  
**2.4 & 4.9-6.0 GHz (WiFi) with GPS**



Frequency:	
<u>CABLE NO. 1</u>	694-960 MHz & 1710-6000 MHz
<u>CABLE NO. 2</u>	2400-2485 MHz & 4900-6000 MHz
<u>CABLE NO. 3</u>	1575.42 ±2 MHz (GPS)

## Antenna Specifications:

- \*\*Gain: ————— 3 dBi Peak for 694-960 MHz  
                               5 dBi Peak for 1710-6000 MHz  
                               5 dBi Peak for 2400-2485 & 4900-6000 MHz
- GPS Gain ————— 26 dB, 5 dBi Antenna
- Voltage ————— 3.3/5 VDC
- Current ————— 10mA (typ.), 20mA (max.)
- \*\*VSWR: ————— < 2:1 VSWR over range
- Maximum Power: ————— 10 Watts
- Connector/Interface: — SMA Plugs
- Case: ————— 4.2" Dia. x 3.2" High
- Radome Material: — ASA UV Inhibitive Plastic
- Cable ————— cable 1 — RF-195, 15 ft. (694-960 & 1710-6000 MHz)  
                               cable 2 — RF-195, 15 ft. (2.4 & 4.9-6.0 GHz)  
                               cable 3 — RG-174, 15 ft. (GPS Dual Voltage 3v & 5V)
- Impedance: ————— 50 OHM Nominal
- Mounting: ————— 3/4" Dia. Feed through.  
                               1/2" lg. thread for up to  
                               1/4" thick surface 304 S.S.
- Shock & Vibration: — IEE1478, EN 61373, MIL-810G, TIA 329.2-C
- Dust/Water Ingress: — IP67
- Operating Temperature: — -30° to +80° C
- \*\* Gain and VSWR measured with 1 ft cable on 12" Ground Plane



US OFFICE & HEADQUARTERS: 1140 W. THORNDALE AVE. ITASCA, IL 60143  
 TEL: (847) 671-6690 \* FAX (847) 250-5120  
 UK OFFICE: 8 MIRAS BUS PARK, KEYS PARK ROAD. HEDNESFORD WS12 2FS, UK.  
 UK TEL: (+44) 1543-459555 FAX (+44) 1543-459545  
 VISIT OUR WEBSITE AT WWW.MOBILEMARK.COM