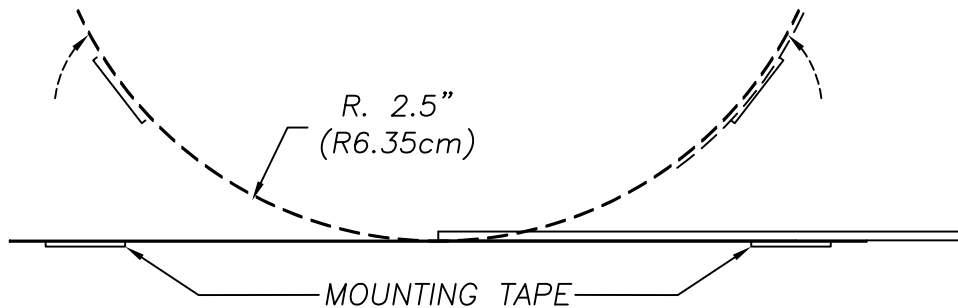
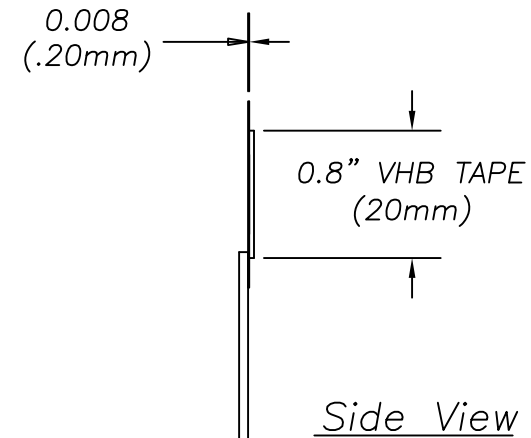
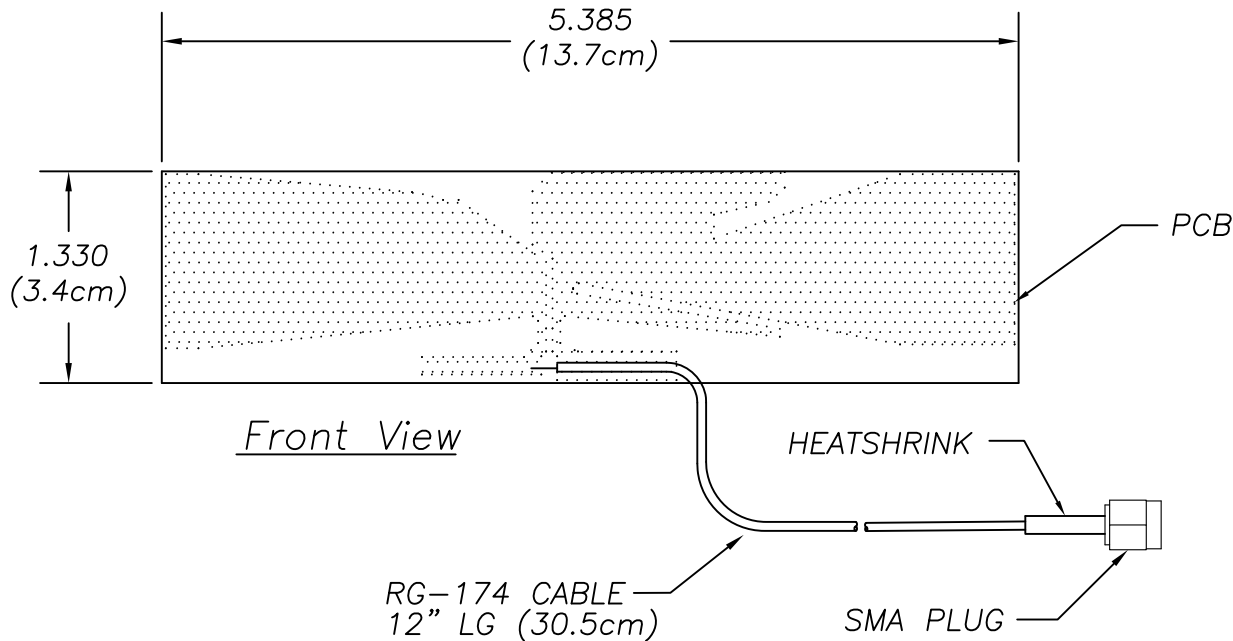


EM-LTE-2C-12

Flexible LTE Internal Strip Antenna 695-960/1710-2700 MHz



Antenna Specifications:

Frequencies:	695-960 MHz 1710-2700 GHz
Gain:	2dBi
Radome Material:	None, PCB Only
Nominal Impedance:	50 OHM
Maximum Power:	5 Watts
Connector:	SMA Plug
VSWR:	< 2.5:1*
Mount:	VHB Tape
Cable:	12" (30.5cm), RG-174
Bend Radius:	2.5" (6.35cm)
Temperature:	-30C to +80C

* VSWR Measured when antenna mounted

RP11/29/16 A

MobileMark
antenna solutions

US OFFICE & HEADQUARTERS: 1140 W THORNDALE AVE, ITASCA, IL 60143
TEL: (847) 671-6690 * FAX (847) 250-5120

UK OFFICE: 8 MIRAS BUS PARK, KEYS PARK ROAD, HEDNESFORD WS12 2FS, UK.
UK TEL: (+44) 1543-459555 FAX (+44) 1543-459545

VISIT OUR WEBSITE AT WWW.MOBILEMARK.COM