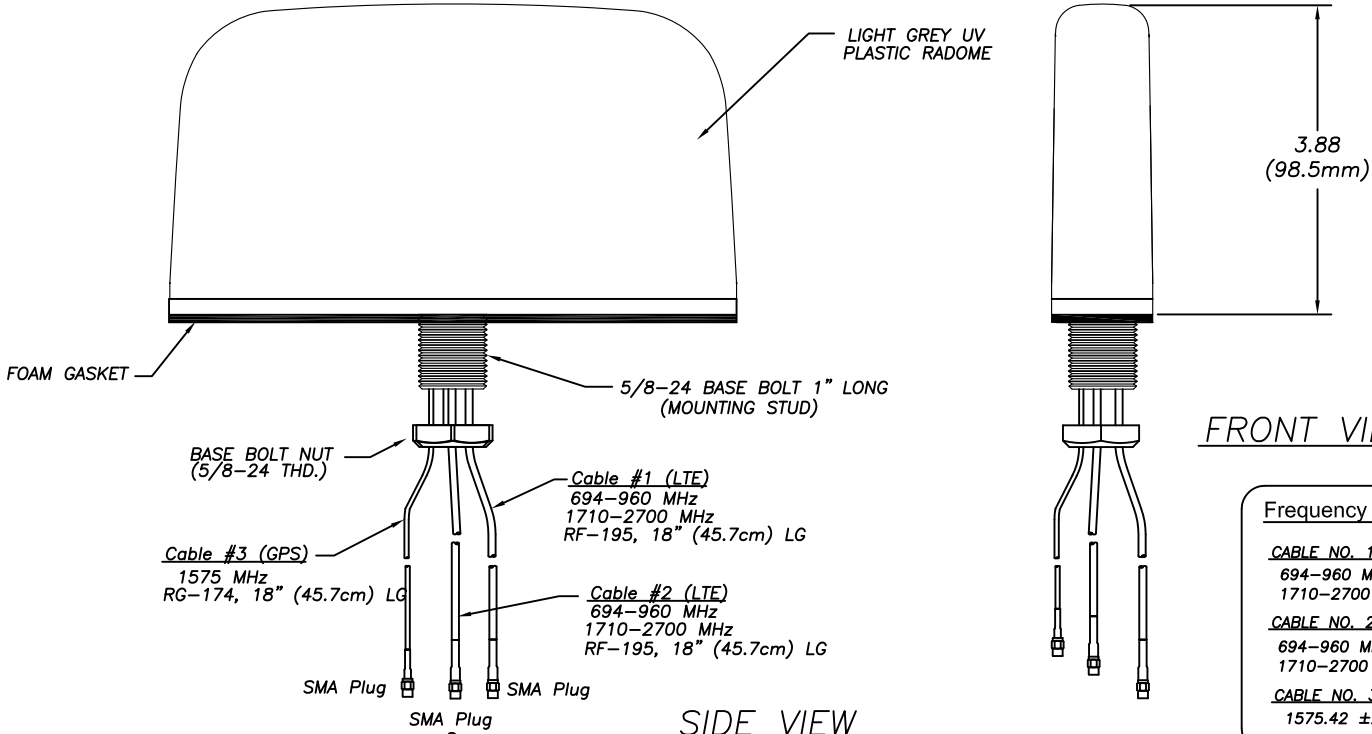


LTB301-3C3C2C-GRY-18

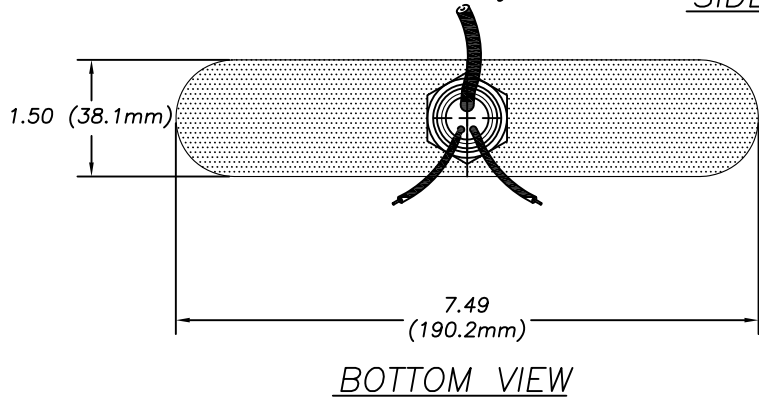
Multi-band 4G/LTE 2X MIMO Antenna
Dual 694-960 MHz, 1710-2700 MHz
GPS 1575 MHz

(formerly EDN324-100)



Frequency and Cable Table

CABLE NO. 1 (RF-195 CABLE)
694-960 MHz (LTE)
1710-2700 MHz (LTE)
CABLE NO. 2 (RF-195 CABLE)
694-960 MHz (LTE)
1710-2700 MHz (LTE)
CABLE NO. 3 (RG-174)
1575.42 ± 2 MHz (GPS)



Preliminary Antenna Specifications:

Gain:	694-960 MHz 3dBi Peak 1710-2700 MHz 4dBi Peak
GPS Unit Gain	26 dB, 5 dBi Antenna
Voltage	3.3/5 VDC
Current	10mA (typ.), 20mA (max.)
VSWR:	< 2:1 VSWR over range
Maximum Power:	10 Watts
Connectors/Interface:	SMA Plugs shown, connectors may vary
Case:	7.49" lg x 1.50" Wide. x 3.88" High
Radome Material:	Light Grey UV Inhibitive Plastic
Cable	<ul style="list-style-type: none"> cable 1 — RF-195, 18" (694-960 MHz/1710-2700 MHz) cable 2 — RF-195, 18" (694-960 MHz/1710-2700 MHz) cable 3 — RG-174, 18" (GPS 1575 MHz)
Impedance:	50 OHM Nominal
Mounting:	5/8" Dia. Feed through. 1" lg. thread for up to 3/4" thick surface (Electrical Cabinet)
Operating Temperature:	-40° to +80° C
Shock & Vibration:	Pending
Dust/Water Ingress:	IPX-7

** No Groundplane Required

All specifications subject to change



US OFFICE & HEADQUARTERS: 1140 W. THORNDALE AVE. ITASCA, IL 60143
 TEL: (847) 671-6690 * FAX (847) 250-5120
 UK OFFICE: 8 MIRAS BUS PARK, KEYS PARK ROAD, HEDNESFORD WS12 2FS, UK.
 UK TEL: (+44) 1543-459555 FAX (+44) 1543-459545
 VISIT OUR WEBSITE AT WWW.MOBILEMARK.COM

