



Installation Instructions

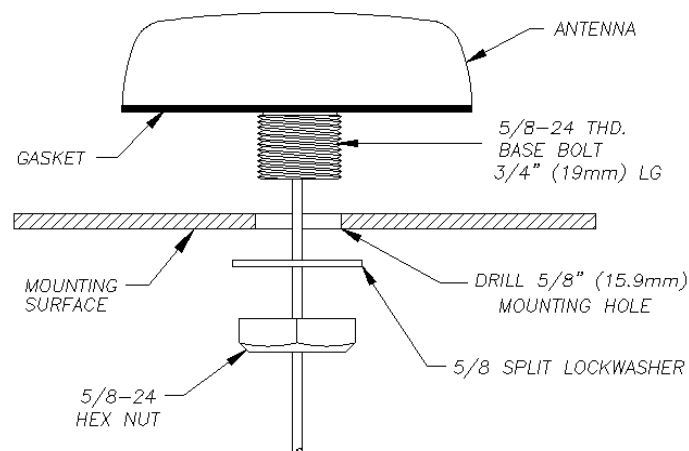
Surface Mount GPS Only Antenna

Models Covered: SM-1575

Installation Guidelines

The SM-1575 is low profile GPS only antenna that measures 2 ½ inches (63.5mm) in diameter and is supplied with all necessary mounting hardware and a sealing gasket. Access to the underside of the body surface is required to complete the installation.

For optimum GPS performance the antenna should be mounted on a horizontal surface with an unobstructed view of the sky.



Installation Steps

The SM-1575 has a 3/4 inch (19mm) long Base Bolt and can be mounted on surfaces up to ½ inch (12.7mm) thick

To mount the SM-1575 GPS antenna, a 5/8 inch (15.9 mm) hole must be drilled or punched into the surface. Deburr the sharp edges of the mounting hole to avoid damaging the cable and make sure the mounting surface is clean.

To attach the antenna, first remove the Hex Nut and the Split Lockwasher. Feed the cable through the mounting hole, seat the antenna on the surface, and then reattach the Lockwasher and the Hex Nut. Use a torque wrench to tighten the nut to a maximum of 5 ft-lbs (6.8 Nm). Next, feed the cable to the equipment.

The attached gasket provides a seal to prevent moisture from entering the vehicle. For uneven surfaces, silicone may be added around the base of the antenna.

Note: If the underside of the threaded Base Bolt is exposed, a sealant is required to prevent moisture from entering the Base Bolt.

Cable Jumpers & accessories are available from Mobile Mark Inc.

Tools Suggested

- Electric Drill
- Hole Saw 5/8" (15.9mm) or Hole Punch 5/8"
- Torque Wrench 5ft-lbs (6.7Nm)

WARRANTY

Mobile Mark, Inc. (Seller) warrants to Buyer that the products for a period of two years from the date of shipment will be free from defects of material and workmanship, and will be in accordance with specifications referred to herein. Seller's sole obligation under these warranties will be limited to either, at Seller's option and expense, repairing, or furnishing a replacement F.O.B. First point of shipment for the products or parts thereof which Seller reasonably determines do not conform with these warranties, and Buyer's exclusive remedy for breach of any of such warranties will be enforcement of such obligations of Seller. THE FOREGOING WARRANTIES ARE EXCLUSIVE AND IN LIEU OF ALL OTHER WARRANTIES OF MERCHANTABILITY, FITNESS FOR PURPOSE AND OF ANY OTHER TYPE, WHETHER EXPRESS OR IMPLIED. IN NO EVENT SHALL SELLER BE LIABLE FOR CONSEQUENTIAL DAMAGES, nor shall Seller's liability on any claims for damages arising out of or connected with the sales contract for the manufacture, sale, delivery or use of the products exceed the purchase price of the products. Any action for breach of warranty must be commenced within one year after the cause of action accrues.