

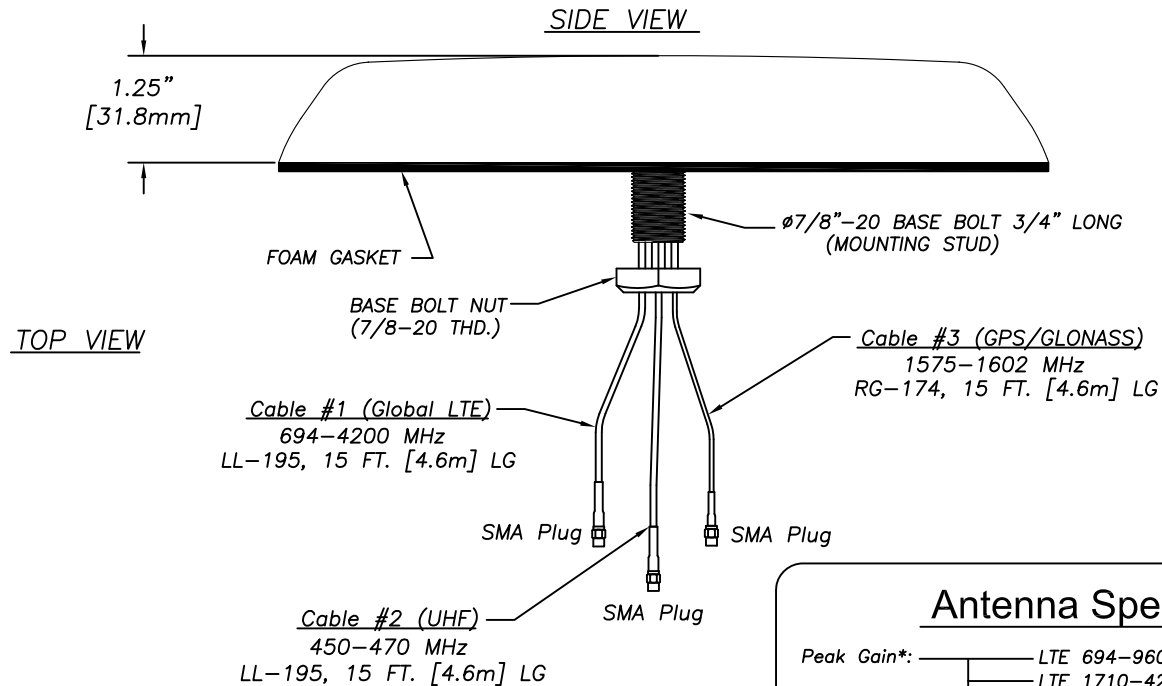
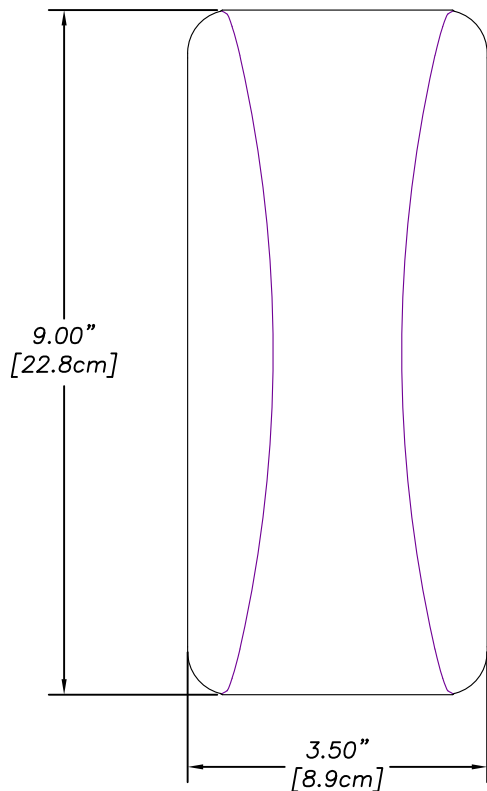
# LLPG304-3C3C2C-BLK-180

## Multi-band Surface Mount Antenna

1X Global LTE 694 - 4200 MHz

1X UHF 450 - 470 MHz

1X GPS/GLONASS



### Antenna Specifications:

Peak Gain*:	LTE 694-960 MHz	3dBi
	LTE 1710-4200 MHz	4dBi
	UHF 450-470 MHz	3dBi
GPS Unit Gain	1575-1602 MHz	26 dB, 5 dBi
Voltage	3.3/5 VDC	
Current	10mA (typ.), 20mA (max.)	
VSWR:	< 2.5:1 VSWR over range (LTE)	
	< 2:1 VSWR (UHF)	
Maximum Power:	100 Watts	
Impedance:	50 OHM Nominal	
Cable:	15 Ft.(4.5m) LL-195 Type Cable (LTE, UHF)	
Connector/Interface:	SMA Plug (LTE, UHF, GPS)	
Mounting:	Thru Hole, Ground Plane dependent	
Shock & Vibration:	(Pending) IEEE1478, EN 61373, MIL-810G, TIA 329.2-C	
Dust/Water Ingress:	(Pending) IP67	
Operating Temperature:	-40° to +80° C	
	*1m ground plane	

**MobileMark**  
antenna solutions

US OFFICE & HEADQUARTERS: 1140 W. THORNDALE AVE. ITASCA, IL 60143  
TEL: (847) 671-6690 \* FAX (847) 250-5120  
UK OFFICE: 8 MIRAS BUS PARK, KEYS PARK ROAD. HEDNESFORD WS12 2FS, UK.  
UK TEL: (+44) 1543-459555 FAX (+44) 1543-459545  
VISIT OUR WEBSITE AT WWW.MOBILEMARK.COM

