



## Installation Instruction

## Surface Mount Antennas: SM Series

Models covered: SM Series including SM-U15, SM-E15, SM-1620/1575

### Models covered

All Mobile Mark 2-cable antennas that begin with the prefix "SM-" are covered. This includes combination Cellular & GPS as well as Iridium & GPS.

### Installation guidelines

The best mounting location for the antenna is on a flat horizontal surface such as the vehicle's roof. Mount the antenna so its view of the horizon is not obstructed.

A location must be chosen with access below the antenna when it is on the mounting surface, so the Jam Nut can be screwed and tightened onto the Base Bolt. The mounting surface can be metallic or nonmetallic and must not be thicker than 1/4" (6.35 mm)

If the antenna is to be mounted in the vicinity of other antennas, try to keep it away from the other antennas by at least 6 inches (153 mm).

### Installation steps

Locate the place to mount the antenna and mark or Center Punch the location. To mount the antenna a 5/8" (15.9 mm) hole must be drilled or punched into the mounting surface. After the hole is made the surface should be cleaned before mounting the antenna.

### Tools & supplies suggested

- Electric drill
- Hole saw or Hole Punch 5/8" (15.9 mm)
- Torque wrench
- Silicone sealant (optional)

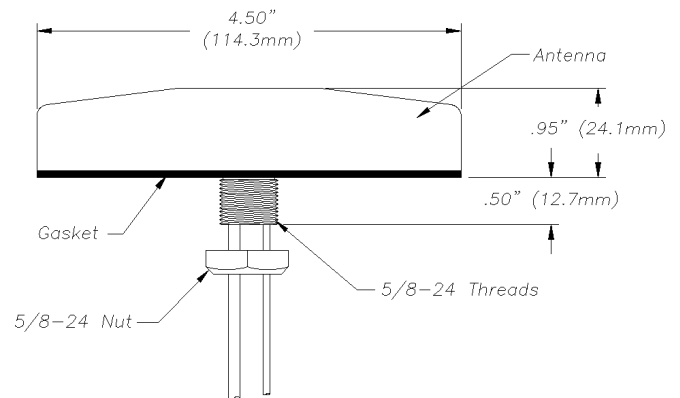
Remove the large nut from the antenna's threaded base bolt.

Feed the cables through the hole. If the connectors are large feed them through the hole one at a time. Put the Base Bolt through the hole, then reattach the Jam Nut from underneath the mounting surface.

The nut should be tight in order to properly seal the gasket on the bottom of the antenna. Use a torque wrench to tighten the nut (5 ft. lbs max). Silicone sealant may be added around the base of the antenna in cases of an uneven surface. Note: if the underside of the threaded base bolt is exposed, a sealant is required.

Feed the cables to the equipment and attach them directly to equipment, or through additional cable jumpers.

*Cable jumpers & accessories are available from Mobile Mark Inc.*



### WARRANTY

Mobile Mark, Inc. (Seller) warrants to Buyer that the products for a period of two years from the date of shipment will be free from defects of material and workmanship, and will be in accordance with specifications referred to herein. Seller's sole obligation under these warranties will be limited to either, at Seller's option and expense, repairing, or furnishing a replacement F.O.B. First point of shipment for the products or parts thereof which Seller reasonably determines do not conform with these warranties, and Buyer's exclusive remedy for breach of any of such warranties will be enforcement of such obligations of Seller. THE FOREGOING WARRANTIES ARE EXCLUSIVE AND IN LIEU OF ALL OTHER WARRANTIES OF MERCHANTABILITY, FITNESS FOR PURPOSE AND OF ANY OTHER TYPE, WHETHER EXPRESS OR IMPLIED. IN NO EVENT SHALL SELLER BE LIABLE FOR CONSEQUENTIAL DAMAGES, nor shall Seller's liability on any claims for damages arising out of or connected with the sales contract for the manufacture, sale, delivery or use of the products exceed the purchase price of the products. Any action for breach of warranty must be commenced within one year after the cause of action accrues.