



Installation Instructions

Surface Mount Multiband Antenna

Models Covered: All SMW Series 2, 3 or 4 Cables

Installation Guidelines

The SMW Multiband antennas contain multiple antenna elements within the single antenna housing. Your antenna may have 2, 3, or 4 cables attached. Each cable has a frequency label so that it may be connected to the correct wireless device. Your antenna comes with complete mounting hardware and a sealing gasket.

For optimal performance, it is recommended that the antenna be mounted in the center of a 1 foot (305mm) diameter metal surface. For fiberglass mounting, it is suggested that a ground plane surface be added. For further information about alternative ground plane surfaces, please contact Mobile Mark directly.

The best mounting location for the antenna is on a flat horizontal surface such as the vehicle's roof. Mount it so its view of the horizon is not obstructed. If the antenna is mounted near other antennas, keep it away from the other antennas by at least 9" (229mm).

A location must be chosen with access below the antenna when it is on the mounting surface, so the Hex Nut can be tightened on the Base Bolt.

Installation Steps

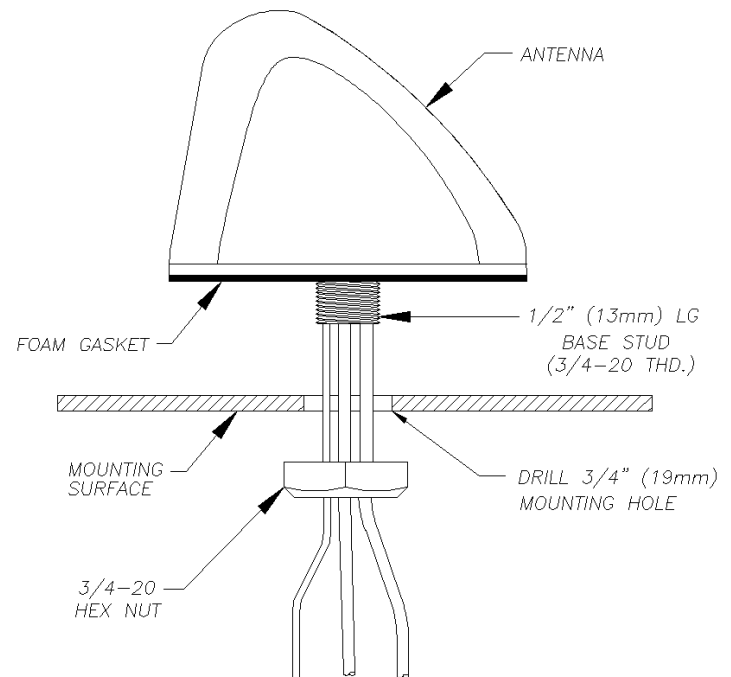
For the standard 1/2" (13mm) Base Bolt length, the mounting surface must not be thicker than 1/4" (6 mm). Longer Base Bolts are available if the antenna is to be mounted to a thicker surface.

Locate the place to mount the antenna and mark or Center Punch the location. Drill or punch a 3/4" (19mm) hole into mounting surface. Clean edges of the hole before mounting the antenna.

Remove the nut from the antennas threaded Base Bolt. Feed the cables through the hole. If the connectors are large, feed them through the hole one at a time. Put the Base Bolt through the hole, and then reattach the Hex Nut from underneath the mounting surface.

The Hex Nut must be tight in order to properly seal the gasket on the bottom of the antenna. Tighten the Hex Nut with a Torque wrench to a torque of 5 ft.-lbs. (6.7Nm). Too little torque may not seal the base and too much torque could distort the surface.

Silicone glue may be added around the base of the antenna in cases of an uneven surface. Feed the cables to the equipment and attach them directly or through additional cable jumpers.



Tools Suggested

- Electronic Drill
- Hole Saw 3/4" or Hole Punch 3/4"
- Torque Wrench to 5ft-lbs (6.7Nm)

Cable jumpers & accessories are available from Mobile Mark Inc.

WARRANTY

Mobile Mark, Inc. (Seller) warrants to Buyer that the products for a period of two years from the date of shipment will be free from defects of material and workmanship, and will be in accordance with specifications referred to herein. Seller's sole obligation under these warranties will be limited to either, at Seller's option and expense, repairing, or furnishing a replacement F.O.B. First point of shipment for the products or parts thereof which Seller reasonably determines do not conform with these warranties, and Buyer's exclusive remedy for breach of any of such warranties will be enforcement of such obligations of Seller. THE FOREGOING WARRANTIES ARE EXCLUSIVE AND IN LIEU OF ALL OTHER WARRANTIES OF MERCHANTABILITY, FITNESS FOR PURPOSE AND OF ANY OTHER TYPE, WHETHER EXPRESS OF IMPLIED. IN NO EVENT SHALL SELLER BE LIABLE FOR CONSEQUENTIAL DAMAGES, nor shall Seller's liability on any claims for damages arising out of or connected with the sales contract for the manufacture, sale, delivery or use of the products exceed the purchase price of the products. Any action for breach of warranty must be commenced within one year after the cause of action accrues.