

Installation Instruction

CVS Dual Band Series

Models Covered: CVS 900/1900, 925/1800, 925/1900, 837/1900, 900/1800 2400, 2400/5500

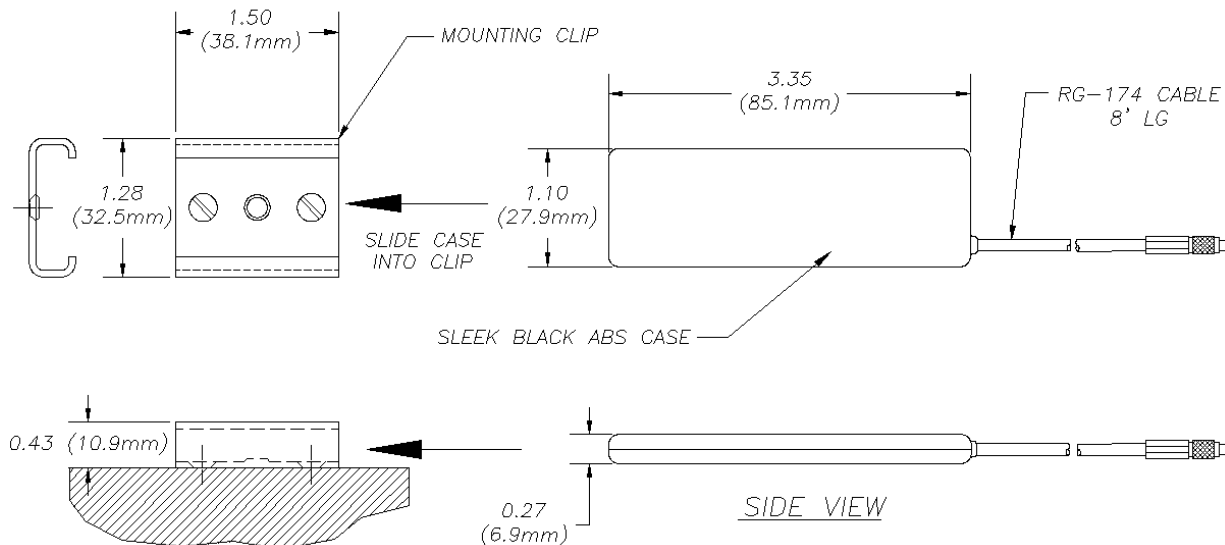
Installation Guidelines

The CVS series of Dual Band antennas have a slim profile that allows them to fit into a wide variety of mounting locations. A small bracket & double sided tape is included for mounting the antenna to fixed locations such as: ATM machines, wireless kiosks or inside a non-metallic NEMA box. The antenna comes with cable that is 8 feet (2.5meters) long and is terminated with standard SMA connector. Other connector configurations are also available. Typical mobile installations include: underneath non-metal dashboards, underneath the carpet on the back deck, mounted on the windshield or rear window, on the back side of a rear view mirror, inside taillights or underneath plastic or fiberglass bumpers. For best antenna performance allow a 1/2 inch (13mm) distance away from any surrounding metal and at least 6 inches (153mm) away from other antennas.

Installation Steps

If using the double sided tape for mounting the antenna, clean the surface with alcohol. Peel off the paper from the two sided tape provided and stick the tape to the antenna. Then peel off the clear plastic tape and attach to your mounting surface. After mounting the antenna route the cables and connect them to your equipment. This antenna also comes with a small bracket and Qty-2 #4 x 1/2 inch sheet metal screws for a more permanent mounting. You can use this bracket as a template to mark the 2 mounting holes onto your mounting surface. Drilling 2 pilot holes 3/32 of an inch (2.38mm) into your mounting surface will make it easier to mount the screws for installation.

Cable jumpers & accessories are available from Mobile Mark, Inc.



WARRANTY

Mobile Mark, Inc. (Seller) warrants to Buyer that the products for a period of two years from the date of shipment will be free from defects of material and workmanship, and will be in accordance with specifications referred to herein. Seller's sole obligation under these warranties will be limited to either, at Seller's option and expense, repairing, or furnishing a replacement F.O.B. First point of shipment for the products or parts thereof which Seller reasonably determines do not conform with these warranties, and Buyer's exclusive remedy for breach of any of such warranties will be enforcement of such obligations of Seller. THE FOREGOING WARRANTIES ARE EXCLUSIVE AND IN LIEU OF ALL OTHER WARRANTIES OF MERCHANTABILITY, FITNESS FOR PURPOSE AND OF ANY OTHER TYPE, WHETHER EXPRESS OR IMPLIED. IN NO EVENT SHALL SELLER BE LIABLE FOR CONSEQUENTIAL DAMAGES, nor shall Seller's liability on any claims for damages arising out of or connected with the sales contract for the manufacture, sale, delivery or use of the products exceed the purchase price of the products. Any action for breach of warranty must be commenced within one year after the cause of action accrues.