



Installation Instruction

GPS Glass-mount Antenna (Inside Window)

Models Covered: IW-1575

Installation Guidelines

The IW-1575 is a glass-mounted GPS only antenna that comes with 15 feet of RG-174 cable and is terminated with a SMA Plug (Male) connector. It was designed to be mounted on the interior side of the vehicle's window.

This antenna can be mounted on a vertical window. But for best performance, the antenna should be mounted on an angled window with the arrow pointing up or the thicker side of the antenna facing upwards. This position will give the antenna a good view of the sky and will be in the best position for hiding the cable underneath the window molding for a neat installation.

Care should be taken as to the proper location chosen for this antenna. If the front windshield is chosen, avoid obstructing the drivers' view of the road or with interfering with the drivers' view of the rear view mirror.

If the rear window is used for antenna mounting avoid covering the defroster wires which will inhibit proper antenna operation. Some cars have a black decorative border painted on the top area of the glass.

The antenna may be affixed onto this black area if desired for it is non-metallic and will not interfere with antenna operation.

Important: Installation should not be attempted in temperatures less than 60°F (15.5°C). The glass must be clean and dry and antenna parts should be at room temperature.

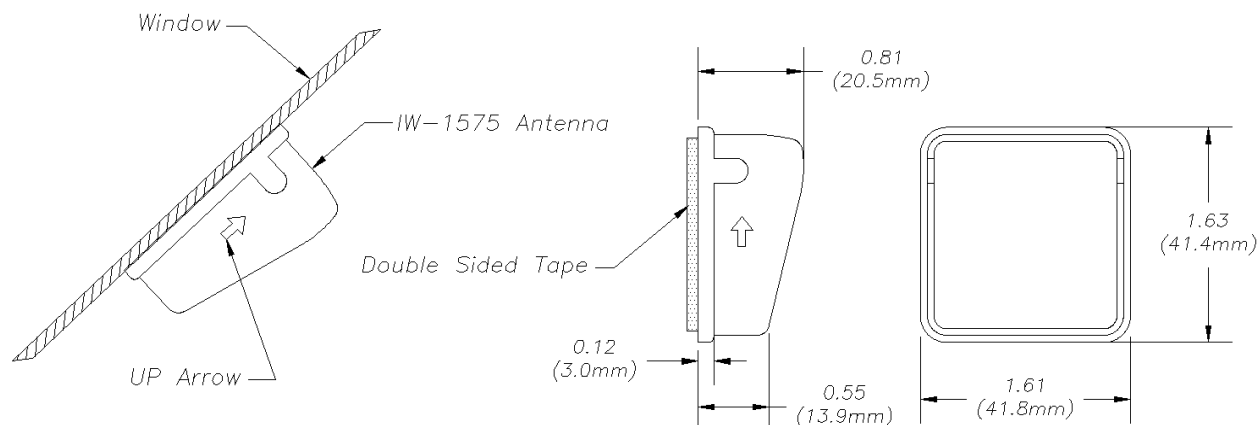
Installation Steps

Clean the area on the inside window where the antenna will be installed with the alcohol pad that is included with the antenna and allow it to dry thoroughly.

Remove the protective adhesive backing from the antenna, leaving the tape on the unit. While looking through the glass from the inside, carefully place the antenna on the window, as high up near the top as possible with arrow facing up. Press the antenna FIRMLY and EVENLY all around onto the glass.

Route the cable neatly and connect to your equipment.

Cable jumpers & accessories are available from Mobile Mark, Inc.



WARRANTY

Mobile Mark, Inc. (Seller) warrants to Buyer that the products for a period of two years from the date of shipment will be free from defects of material and workmanship, and will be in accordance with specifications referred to herein. Seller's sole obligation under these warranties will be limited to either, at Seller's option and expense, repairing, or furnishing a replacement F.O.B. First point of shipment for the products or parts thereof which Seller reasonably determines do not conform with these warranties, and Buyer's exclusive remedy for breach of any of such warranties will be enforcement of such obligations of Seller. THE FOREGOING WARRANTIES ARE EXCLUSIVE AND IN LIEU OF ALL OTHER WARRANTIES OF MERCHANTABILITY, FITNESS FOR PURPOSE AND OF ANY OTHER TYPE, WHETHER EXPRESS OF IMPLIED. IN NO EVENT SHALL SELLER BE LIABLE FOR CONSEQUENTIAL DAMAGES, nor shall Seller's liability on any claims for damages arising out of or connected with the sales contract for the manufacture, sale, delivery or use of the products exceed the purchase price of the products. Any action for breach of warranty must be commenced within one year after the cause of action accrues.