



Installation Instructions

LTM Series

Models covered: LTM Series

INSTALLATION GUIDELINES

Mobile Mark's LTM500 Series of antennas has five cables; two are for cellular including the LTE 700Mhz band, two cables for WiFi-2.4/5 GHz band and one cable for the GPS signal. The antenna can also be configured with fewer than five cables, e.g. The LTM300 series contains 3 cables and the LTM400 series contains 4 cables of various combinations.

Each cable has a frequency label so that the cable can be attached to the correct wireless device. The standard length of the cable is 15 feet (4.5 m).

For best performance the antenna should be mounted on a flat horizontal metal surface, such as the vehicle's roof. Mount it so its view of the horizon is not obstructed. If the antenna is to be mounted in the vicinity of other antennas, try to keep it away from the other antennas by at least 9" (229 mm).

The mounting surface must be chosen with access below it so that antenna's hardware can be attached to the Base Bolt. The mounting surface must not be thicker than 1/2" (1.3 cm).

INSTALLATION STEPS

To mount the antenna a hole must be drilled or punched into the mounting surface. The diameter of the hole must be at least 7/8" [22.3mm]. Center Punch or mark the mounting location. After the hole is made, the surface should be cleared of metal burrs before mounting the antenna.

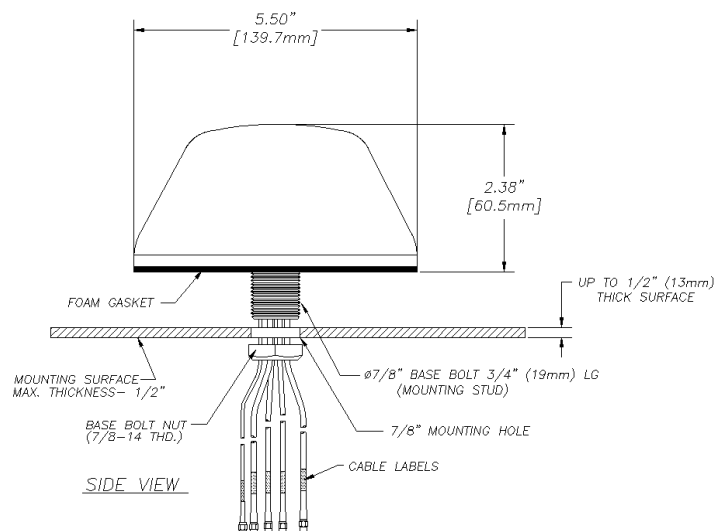
Tools Suggested

- Electronic Drill
- 7/8" (2.22cm) Hole Saw or Hole Punch
- Torque Wrench 5ft-lbs (6.7Nm)

Remove the nut and feed the cables through the hole in the metal surface. If the connectors are large, feed them through the

hole one at a time. Put the Base Bolt through the hole and lay the antenna flat on the mounting surface. Slide the Nut over the cables from underneath the mounting surface, see figure below.

Tighten the nut with a wrench to 5-ft-lbs (6.7 Nm) max. Silicone glue may be added around the bottom of the antenna in cases of an uneven mounting surface. Feed the cables to the equipment and attach them directly to the equipment, or through additional cable jumpers.



Cable jumpers & accessories are available from Mobile Mark Inc.

WARRANTY

Mobile Mark, Inc. (Seller) warrants to Buyer that the products for a period of two years from the date of shipment will be free from defects of material and workmanship, and will be in accordance with specifications referred to herein. Seller's sole obligation under these warranties will be limited to either, at Seller's option and expense, repairing, or furnishing a replacement F.O.B. First point of shipment for the products or parts thereof which Seller reasonably determines do not conform with these warranties, and Buyer's exclusive remedy for breach of any of such warranties will be enforcement of such obligations of Seller. THE FOREGOING WARRANTIES ARE EXCLUSIVE AND IN LIEU OF ALL OTHER WARRANTIES OF MERCHANTABILITY, FITNESS FOR PURPOSE AND OF ANY OTHER TYPE, WHETHER EXPRESS OR IMPLIED. IN NO EVENT SHALL SELLER BE LIABLE FOR CONSEQUENTIAL DAMAGES, nor shall Seller's liability on any claims for damages arising out of or connected with the sales contract for the manufacture, sale, delivery or use of the products exceed the purchase price of the products. Any action for breach of warranty must be commenced within one year after the cause of action accrues.