



## Installation Instructions

## Surface Mount Single & Multiband Antennas

Models covered include, but are not limited to: SM-900, SM-900/1900, SM-925/1800, SM-E15, SM-U15

### Installation Guidelines

These instructions cover several different models of SM Surface Mount Antennas which are 4 1/2 inches (114mm) in diameter. Models include Single Band, Dual Band and Tri banded versions which can include a GPS antenna. Additional models are available for different cellular applications.

For optimum GPS performance the antenna should be mounted on a horizontal surface with an unobstructed view of the sky.

Your antenna may have one or two cables attached depending on the model purchased. Cables are marked with frequency labels so that they may be connected to the correct wireless device.

Access to the underside of the body surface is required to complete the installation. A metal mounting area of at least 1 sq-ft (929 sq. cm) is recommended for this antenna to perform as specified.

### Installation Steps

The standard SM Series antennas have a usable Base Bolt length of 1/2 inch (12.7mm) long and are designed to fit up to 1/4 inch (6.35mm) thick surfaces. Contact Mobile Mark if a longer stud length is required.

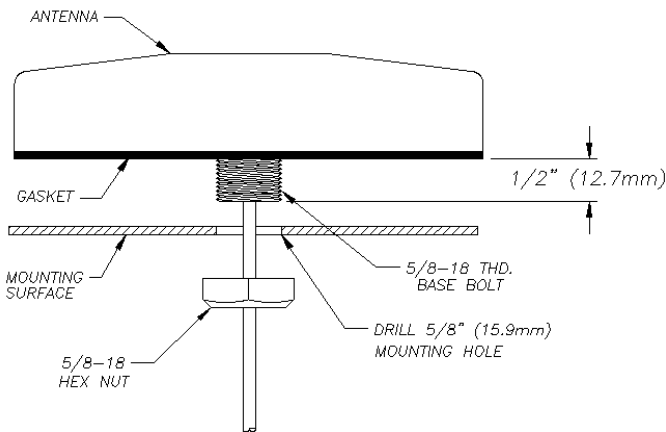
To mount the antenna, a 5/8 inch (15.9mm) hole must be drilled or punched into the surface. Deburr the sharp edges of the mounting hole to avoid damaging the cable and make sure the surface is clean.

The antenna is supplied with all mounting hardware and a sealing gasket. To attach the antenna, first remove the nut. Feed the cable(s) through the hole, seat the antenna on the surface, and then reattach the nut. Use a torque wrench to tighten the nut to a maximum of 5 ft-lbs (6.8 Nm). Next, feed the cable(s) to the equipment.

The attached gasket provides a seal to prevent moisture from entering the vehicle. For uneven surfaces, silicone may be added around the base of the antenna.

Note: If the underside of the threaded base bolt is exposed, a sealant is required to prevent moisture from entering the base bolt.

**Cable jumpers & accessories are available from Mobile Mark, Inc.**



### Tools Suggested

- Electric Drill
- Hole Saw 5/8" (15.9mm) or Hole Punch 5/8"
- Torque wrench 5ft-lbs (6.7Nm)

### WARRANTY

Mobile Mark, Inc. (Seller) warrants to Buyer that the products for a period of two years from the date of shipment will be free from defects of material and workmanship, and will be in accordance with specifications referred to herein. Seller's sole obligation under these warranties will be limited to either, at Seller's option and expense, repairing, or furnishing a replacement F.O.B. First point of shipment for the products or parts thereof which Seller reasonably determines do not conform with these warranties, and Buyer's exclusive remedy for breach of any of such warranties will be enforcement of such obligations of Seller. THE FOREGOING WARRANTIES ARE EXCLUSIVE AND IN LIEU OF ALL OTHER WARRANTIES OF MERCHANTABILITY, FITNESS FOR PURPOSE AND OF ANY OTHER TYPE, WHETHER EXPRESS OR IMPLIED. IN NO EVENT SHALL SELLER BE LIABLE FOR CONSEQUENTIAL DAMAGES, nor shall Seller's liability on any claims for damages arising out of or connected with the sales contract for the manufacture, sale, delivery or use of the products exceed the purchase price of the products. Any action for breach of warranty must be commenced within one year after the cause of action accrues.